

VG MAB

VG1-0308-007M-MAB

The VG-MAB booster set features one stainless steel multistage pump mounted on a powder-coated steel base plate. The pump is controlled by our advanced MAB variable speed control panel.

PRODUCT FEATURES

- Variable speed pump control
- 304 stainless steel pump
- 24-litre pressure vessel(s) with flow through isolation and drain valve
- Air-cooled inverters
- BMS volt-free contacts
- External enable on/off
- Hand/off/auto switches
- External low water
- Dry run protection
- Glycerine filled pressure gauge
- Pump check valve

APPLICATIONS

Cold water pressure and flow boosting in a range of domestic, commercial and industrial applications.

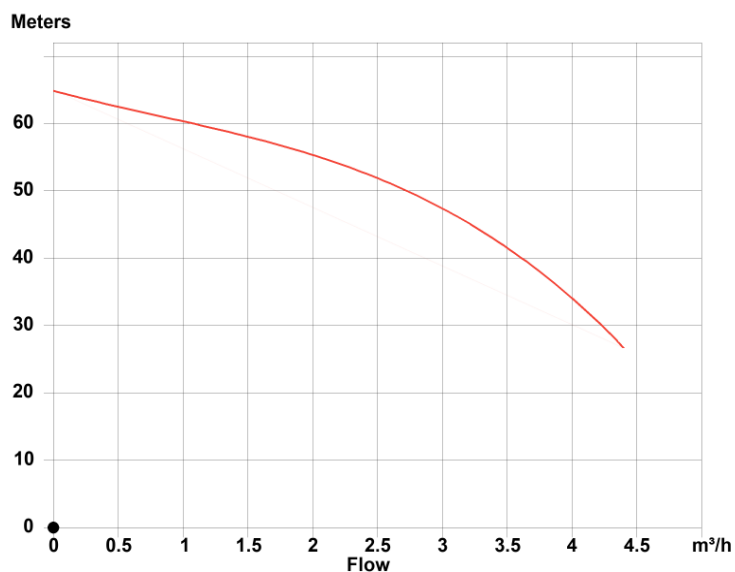
PRODUCT DATA SHEET



Specification

| | |
|---------------------------------|-----------|
| Suction connection | 1" |
| Discharge connection | 1" |
| Maximum working pressure | 10.00 bar |
| | 0.75 kW |
| Weight_incl_Fittings | 41.00 kg |
| Vessel_Size | 24.0 L |
| Number of pumps | 1 |

Performance



Electrical Data

| | |
|-------------------------|--------------|
| Mains connection | 1~ 230V/50Hz |
| Current | 4,4 A |

Model Codes

VG1-0308-007M-MAB

Range

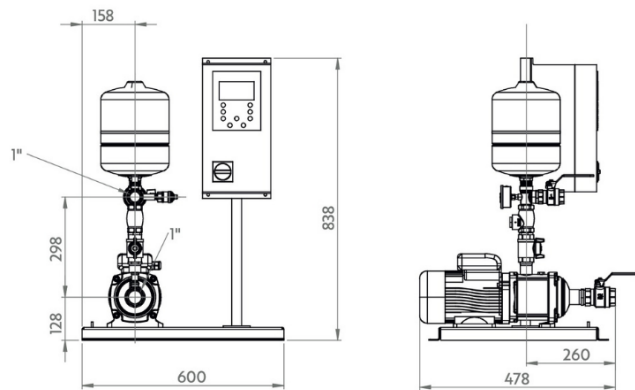
No of Pumps

Nominal flow in m³/h

Motor kW per Pump

Control type

Technical Drawings



Drawing dimensions

| | |
|--------------------|--------|
| Dimension A | 600 mm |
| Dimension B | 478 mm |
| Dimension C | 838 mm |

Performance

