

## VG MAB

### VG1-0506-011M-MAB

The VG-MAB booster set features one stainless steel multistage pump mounted on a powder-coated steel base plate. The pump is controlled by our advanced MAB variable speed control panel.

#### PRODUCT FEATURES

- Variable speed pump control
- 304 stainless steel pump
- 24-litre pressure vessel(s) with flow through isolation and drain valve
- Air-cooled inverters
- BMS volt-free contacts
- External enable on/off
- Hand/off/auto switches
- External low water
- Dry run protection
- Glycerine filled pressure gauge
- Pump check valve

#### APPLICATIONS

Cold water pressure and flow boosting in a range of domestic, commercial and industrial applications.

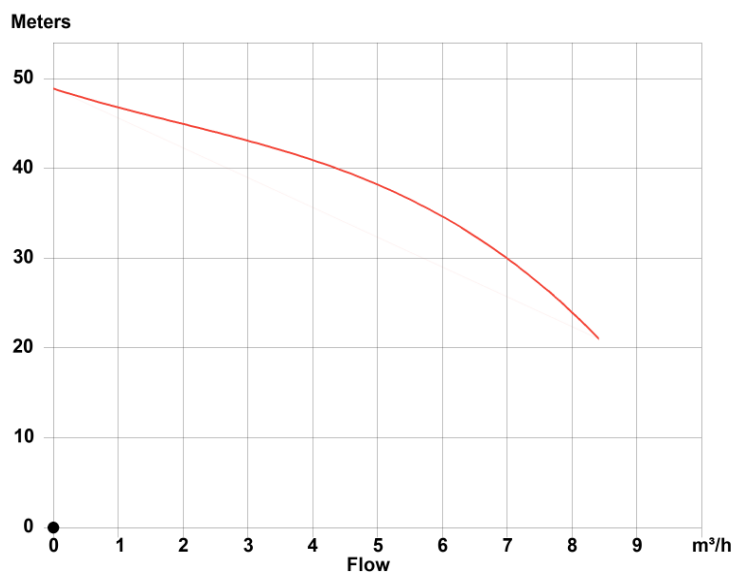
## PRODUCT DATA SHEET



#### Specification

|                                 |           |
|---------------------------------|-----------|
| <b>Suction connection</b>       | 1 1/4"    |
| <b>Discharge connection</b>     | 1"        |
| <b>Maximum working pressure</b> | 10.00 bar |
| <b>Motor power</b>              | 1.10 kW   |
| <b>Weight</b>                   | 40.00 kg  |
| <b>Vessel size</b>              | 24.0 L    |
| <b>Number of pumps</b>          | 1         |

#### Performance



## Electrical Data

|                         |              |
|-------------------------|--------------|
| <b>Mains connection</b> | 1~ 230V/50Hz |
| <b>Current</b>          | 4,8 A        |

## Model Codes

VG1-0506-011M-MAB

Range

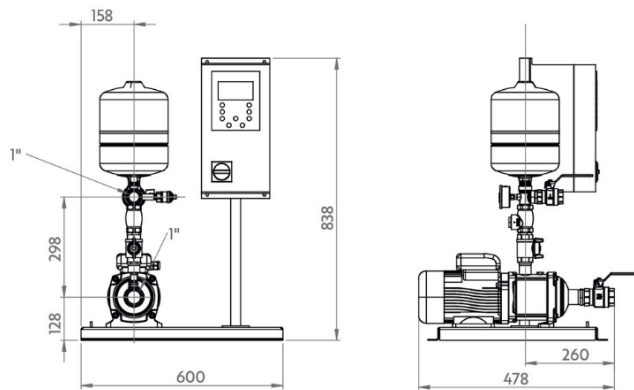
No of Pumps

Nominal flow in m<sup>3</sup>/h

Motor kW per Pump

Control type

## Technical Drawings



## Drawing dimensions

|                    |        |
|--------------------|--------|
| <b>Dimension A</b> | 600 mm |
| <b>Dimension B</b> | 582 mm |
| <b>Dimension C</b> | 838 mm |

Performance

---

